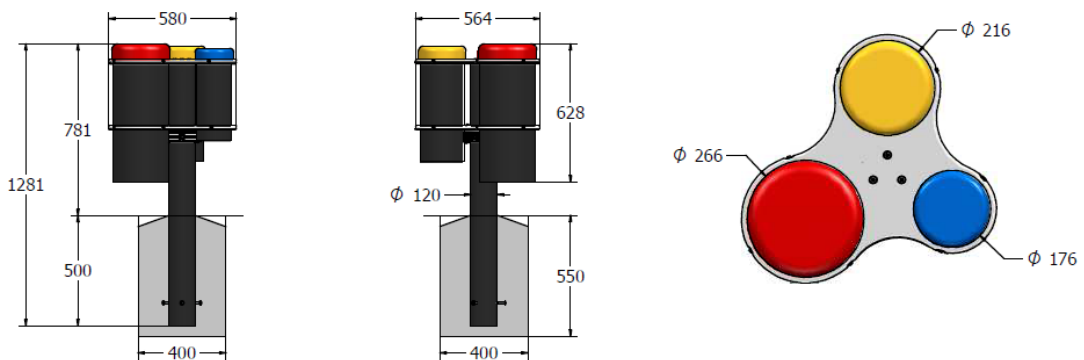




Designed to British & European Standard BS EN 1176



Age Range: 2+ Years  
Largest Part: 3-Drum Assembly: 628x580x564  
Heaviest Part: 3-Drum Assembly: 9kg  
Total Weight: with recycled plastic post - 20Kg  
without post - 9Kg  
Surfacing : n/a

Minimum Inspection Schedule	
Inspection Type	Inspection Frequency
Visual	Every Month
Functionality	Every Month
Comprehensive	Every 6 Months

Material: **Design Panel** - High Density Polyethylene (HDPE) with orange peel texture finish  
**Recycled Post** - Made from 100% recycled plastic with a heavy textured finish

Colour Choices: **Design Panel** - Broad selection available, visit the website below for further details